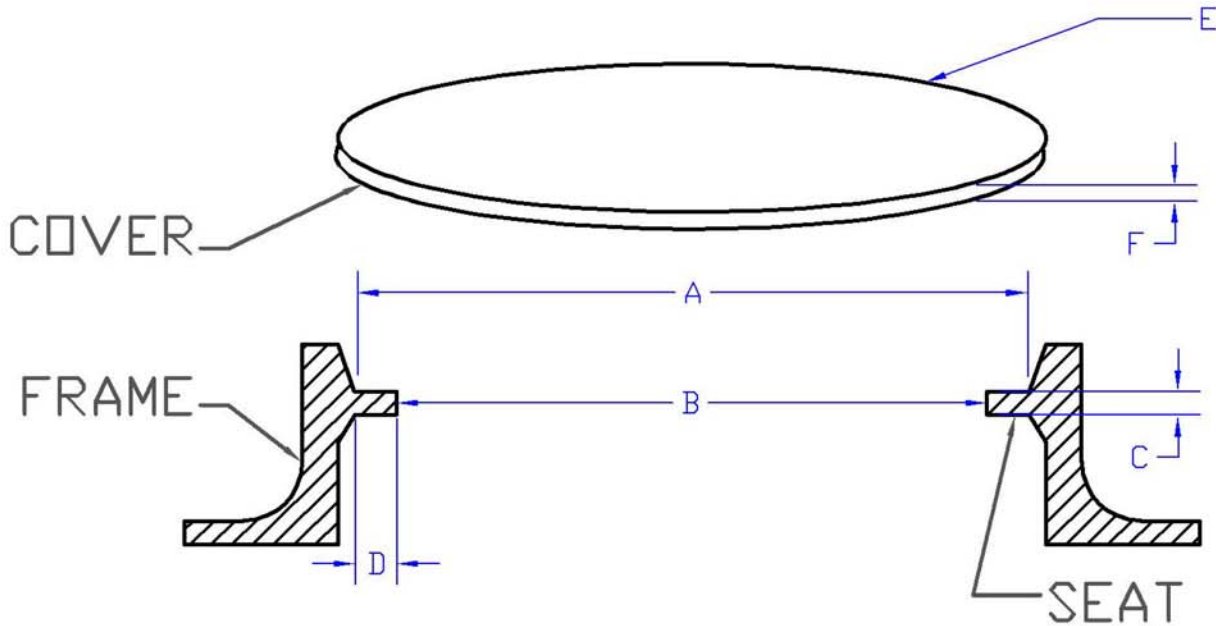


# MANHOLE COVER SIZING FORM

Customer	<input type="text"/>	Project	<input type="text"/>
Address	<input type="text"/>	PO#	<input type="text"/>
City	<input type="text"/>	State	<input type="text"/>
		Zip Code	<input type="text"/>
Email	<input type="text"/>	Telephone	<input type="text"/>
		Fax	<input type="text"/>



**Record measurements for each manhole cover**

A- Frame Diameter    B- Clear opening    C- Seat Thickness    D- Width of Seat    E-Cover Diameter    F-Cover Thickness

**MEASURED DIMENSIONS IN INCHES / MM**

MANHOLE # OR LOCATION	A	B	C	D	E	F
<input type="text"/>	<input type="text"/>	<input type="text"/>	<input type="text"/>	<input type="text"/>	<input type="text"/>	<input type="text"/>
<input type="text"/>	<input type="text"/>	<input type="text"/>	<input type="text"/>	<input type="text"/>	<input type="text"/>	<input type="text"/>
<input type="text"/>	<input type="text"/>	<input type="text"/>	<input type="text"/>	<input type="text"/>	<input type="text"/>	<input type="text"/>
<input type="text"/>	<input type="text"/>	<input type="text"/>	<input type="text"/>	<input type="text"/>	<input type="text"/>	<input type="text"/>

Please note any markings cast into the **underside** of the manhole cover.

Please note any markings cast into the **topside** of the manhole cover.

**UPON COMPLETION OF THIS FORM, PLEASE FAX TO: 586-756-4573**



**STABILOC LLC**  
 7065 East Eight Mile Road  
 Warren, Michigan 48091 USA  
 Tel - +1 586-756-1147  
 www.stabiloc.com

Print Form